



**Working Principle & Operation**

LJ is reed switch operated Level Switch which can be mounted in vertical or horizontal position to get an alarm for high and low level by NO (Normally Open) or NC (Normally Closed) action. Switching action can be reversed by changing its mounting position.

**Special Features**

- Sturdy and versatile
- Easy installation
- Require very less space

**Applications**

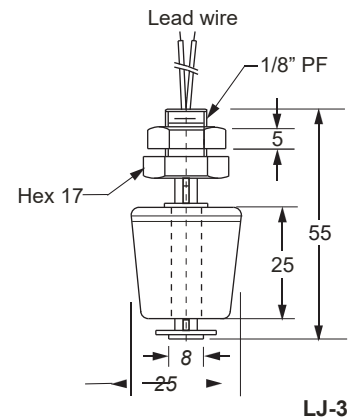
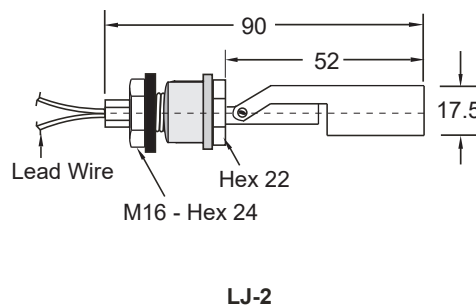
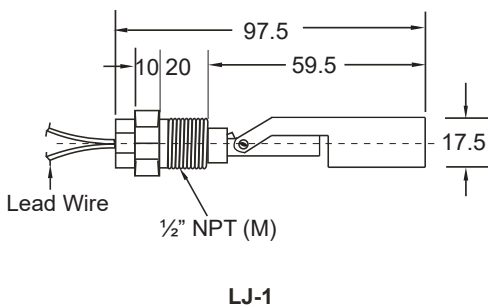
- Refrigeration system
- Receiver and distribution tanks of acid
- Lubricating and oil filtrations system
- Special Purpose Machines

**Specifications**

**Standard Version :**

Model	LJ-1	LJ-2	LJ-3
Mounting	Side	Side	Top
Process Connection	1/2" NPT (M)	M16	1/8" PF
Switch Type	SPST	SPST	Reversible Switching
Switching Capacity (Max)	50W	50W	Action
Switching Voltage (Max)	240 VAC / 200 VDC	240 VAC / 200 VDC	50W
Switching Current (Max)	0.5 A	0.5 A	240 VAC / 200 VDC
Carrying Current (Max)	1 A	1 A	0.5 A
Lead Wire	XLPE Insulated, 23	XLPE Insulated, 23	1 A
Max. Operating Pressure	SWG	SWG	PVC Insulated, 23 SWG
Max. Operating Temperature	4 bar	4 bar	4 bar
Material	-20 to 80°C	-20 to 80°C	-20 to 80°C
Suitable Specific Gravity	Polypropylene	Polypropylene	Polypropylene
Weight (Approx.)	0.75	0.75	0.7

**Dimensions - Standard Version**



Notes : • Drawings are not to scale. • All Dimensions are in mm

**Note :** Specifications and dimensions given in this product catalogue represents the state of engineering at the time of printing. Modifications may take place and materials specified may be replaced by others without prior notice.